



STORTECH D053-DPES

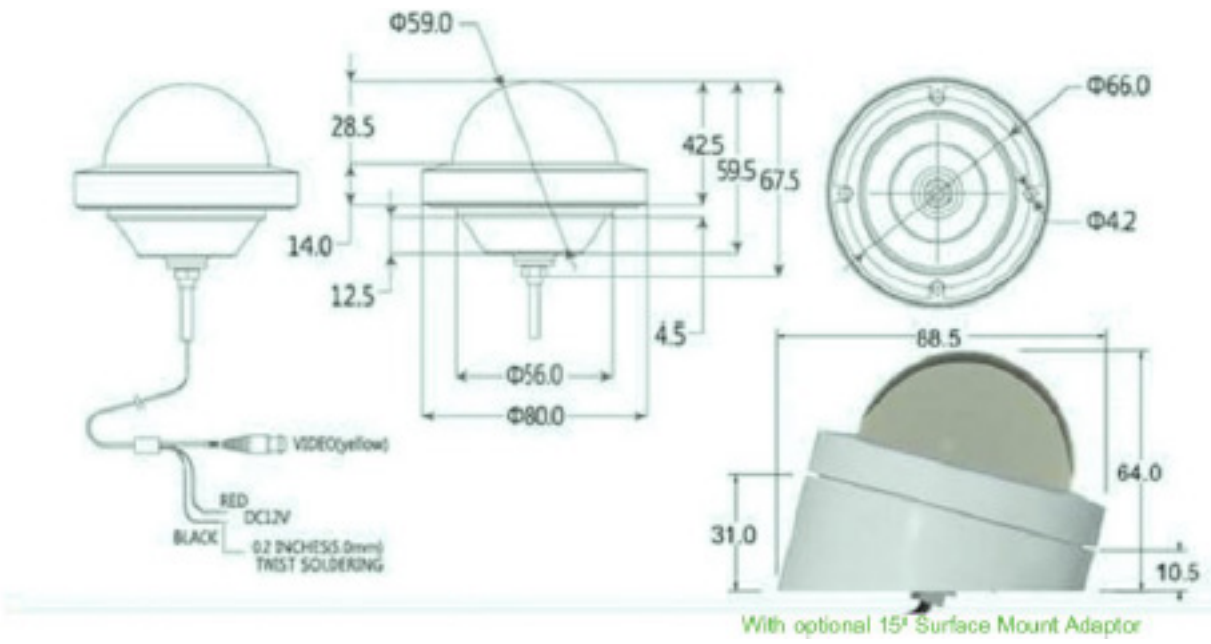
- 1/3" 520TVL CMOS Sensor
- Lightweight Polycarbonate Housing finished in Silver
- Full 90°/360° coverage
- Flush mounted, Low Profile
- IP66 Weather-Resistant
- Drop-down 'Icon' OSD Menu option

Primary Specification

GENERAL SPEC	NTSC	PAL
ACTIVE PIXELS	728(H) x 488(V)	756(H) x 489(V)
MIN. ILLUMINATION	0.17 Lux (F1.2, 30IRE) in Colour	
	0.06 Lux (F1.2, 30IRE) in B/W	
RESOLUTION	520(H) x 400(V) TVL	
S/N RATIO	52dB or more (AGC off)	
SHUTTER SPEED	1/60s - 1/100,000s	1/50 - 1/100,000s
SYNC SYSTEM	Internal	
LENS*	Fitted lens is f3.6mm	
ELECTRICAL SPEC.		
VOLTAGE	12vDC (6.0v ~ 18.0v)	
POWER CONSUMPTION	Max 1.1W [12vDC	
MECHANICAL SPEC.		
DIMENSIONS	Ø80 x 42.5H	

Primary Specification

OPERATING TEMP.	-30°C ~ +70°C	
STORAGE TEMP.	-40°C ~ +80°C	
OPERATING HUMIDITY	Under 90% (non-condensing)	
VCA 'E'-MARK	E11 10R-048549	
EXPOSURE	LENS	DC, MANUAL
	BACKLIGHT	OFF/BLC/HME/D-WDR
	AGC	OFF/LOW/MID/HIGH
	2D DNR	OFF/LOW/MID/HIGH
COLOUR	WB MODE	ATW, MANUAL, PUSH
	RED GAIN	0 ~ 255
	BLUE GAIN	0 ~ 255
DAY/NIGHT	MIRROR	OFF/ H.FLIP / V.FLIP / HV.FLIP
FUNCTION	SHARPNESS	1~30
	GAMMA	MANUAL / 0.45 / 0.60 / 1.0
	SLC	OFF / ON
	NIGHT UP	OFF / ON
MOTION	AREA SET	AREA 1~4 OFF / ON
	SENSITIVITY	1~30
	SHOW INDI.	OFF / ICON / TRACE
	EXTERN. OUT	OFF / ON
PRIVACY	MODE	OFF / PVM / ALPHA / MOSAIC
	PVM SEL.	PRIVACY / PARKING
SET UP	TITLE	OFF / ON
	LANGUAGE	ENGLISH / GERMAN / FRENCH / ITALIAN / RUSSIAN / SPANISH / DUTCH
	COMMUNICATION	OFF / ON
	FACTORY SET	NO / YES



Optional OSD Controller

