

# KPC-S190 Range Mono Bullet Series

# SURE

## Overview

- 1/3" Sony CCD / 420 TV Lines
- 0.05 Lux @ F2.0
- Water Resistant (IP67) (KPC-S190SWX Only)

### Lens Options

- KPC-S190SP f3.7mm Pinhole Lens
- KPC-S190SP1 f3.7 Cone Pinhole Lens
- KPC-S190SP3 f3.7mm Flat Pinhole Lens
- KPC-S190SP4 f4.3mm Super Cone Pinhole Lens
- KPC-S190SWX f2.97/3.6/6/8mm Board Lens

All models are able to be installed with Ex-View CCD



KPC-S190 Range - Mono Bullet Series

## Key Features and Benefits

These CCD video cameras employ a 1/3" SONY CCD solid-state imaging device which provides superior performance.

These cameras can be easily installed in mostly indoor locations along with its very low current consumption of 120mA or less.

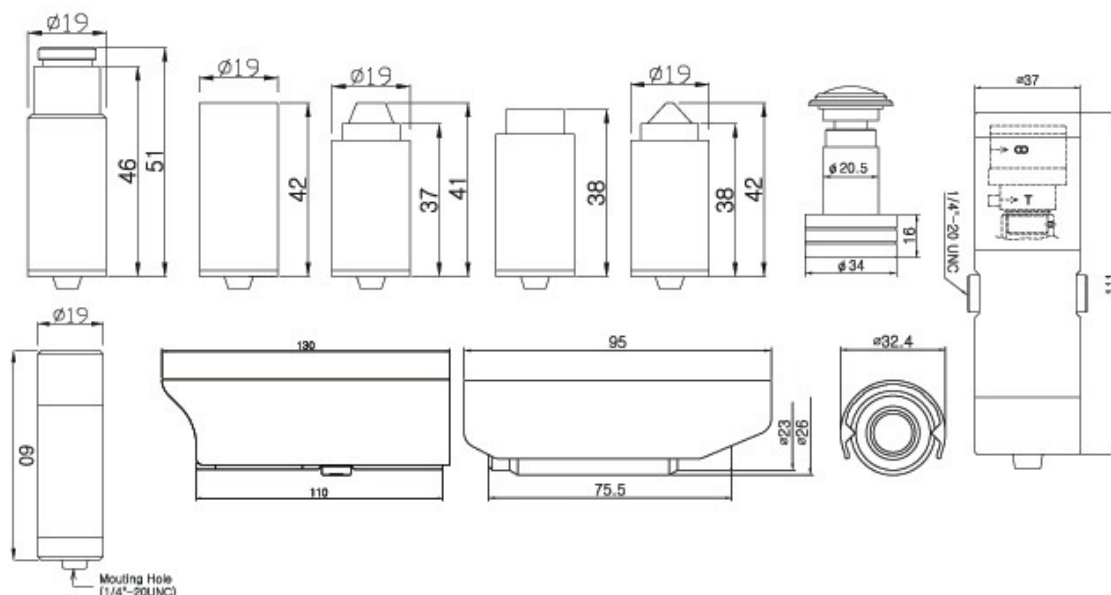
These cameras are not only easy to install but achieve an excellent reliability record.

# SURE

SURE24 Limited • 2 Moorbridge Court • Moorbridge Road East • Bingham • Nottinghamshire • NG13 8GG  
Tel +44 (0) 1949 836 990 • Fax +44 (0) 1949 836 991 • Web [www.sure24.co.uk](http://www.sure24.co.uk) • Email [sales@sure24.co.uk](mailto:sales@sure24.co.uk)

Copyright 2012 SURE24 Limited • All rights reserved • SURE is a registered trademark.

## Product Design



## Specification

Feature / Function	Value / Data
Image Device	SONY 1/3 INCH SUPER HAD CCD
Scanning System	2:1 Interlace
Total Pixels	EIA: 537(H) x 505(V) / CCIR: 537(H) x 597(V)
Effective Pixels	EIA: 510(H) x 492(V) / CCIR: 500(H) x 582(V)
S/N Ratio	More than 50dB
Horizontal Resolution	420 TV Lines
Sensitivity	0.05 Lux @ F 2.0
Gamma Correction	=0.45
Sync System	Internal
Video Output	1.0vp-p Composite (75 Ohm) unbalanced
Electronic Shutter	NTSC: 1/60 ~ 1/100,000 sec Auto
	PAL: 1/50 ~ 1/100,000 sec Auto
Power Supply	DV12V (±10%)
Current Consumption	100mA or less
Operating Temperature	-10°C ~ +50°C
Storage Temperature	-30°C ~ +60°C
Weight	55g including Swival Bracket
Dimensions	19mm (dia)