

# SURE

## SV200 DOOR VIEWER



### 200° DOOR VIEWER

The SV200 200 Degree Door Viewer offers a wide scope for ensuring the best opportunity to identify your visitor before deciding whether to open the door to them. This function has proven a vital aid time and time again in deterring distraction burglary/intrusion.

The strong build and precise machining of the metal and plastic components ensure that the door viewer serves you for a long time. It can be fitted to any door up to 50mm thick and offers a valuable security measure offices, shop premises, factories as well as homes.

#### Features

- Incredible 200 degree vision, you can see the door frame on either side
- Precision made metal body make it extremely durable
- Simple to install

SURE 24 have a wide range of other security products including;

- Property Security
- Fire Safety
- Personal Security
- CCTV
- UV Products
- MemoCam Range

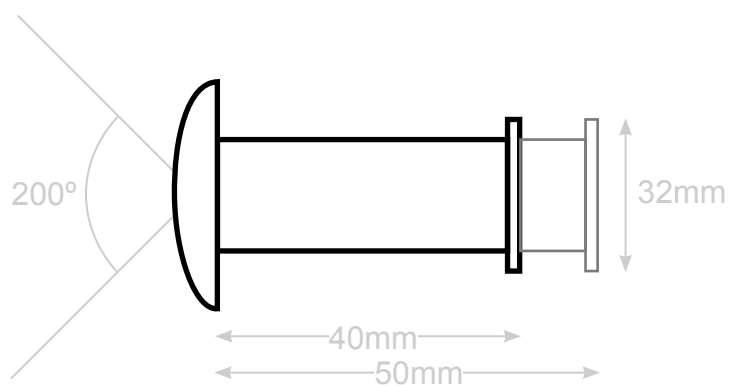
For orders or more information please contact us on:

**tel: 01949 836990 fax: 01949 836991 email: [sales@sure24.net](mailto:sales@sure24.net)**  
**or visit our website [www.sure24.net](http://www.sure24.net)**

# SV200 DOOR VIEW

## SPECIFICATIONS:

TECHNICAL	
Diameter of Barrel	11mm (hole required= 12mm)
Max Door Thickness	50mm
Materials	Case- Plated Brass
	Optics- Plastic
Colours	SV200B - Brass
	SV200C - Chrome
Associated Products	SGDC- Door Chain
	SGDB- Door Bar
	SGSTB- Safe-T Bar



**SURE 24 Limited**  
 SURE House,  
 2 Moorbridge Court,  
 Bingham,  
 Notts. NG13 8GG

tel: 01949 836990  
 email: sales@sure24.net  
 fax: 01949 836991  
 web: www.sure24.net

**SURE**  
 ... innovations for a safer world